



Points of sale



Factories



Restaurants

Ideal for all types of products.

Economic and suitable for small productions.

Recommended for restaurants, supermarkets and point of sales with small space, small factories...

The **EVT-7-C** is ideal for:



Cheeses



Sausages



Meats



Fishes and seafood



Vegetables



IV and V Range



Pasta & pizzas



Nuts



Sauces



Canning jars



Coffee



Nougat



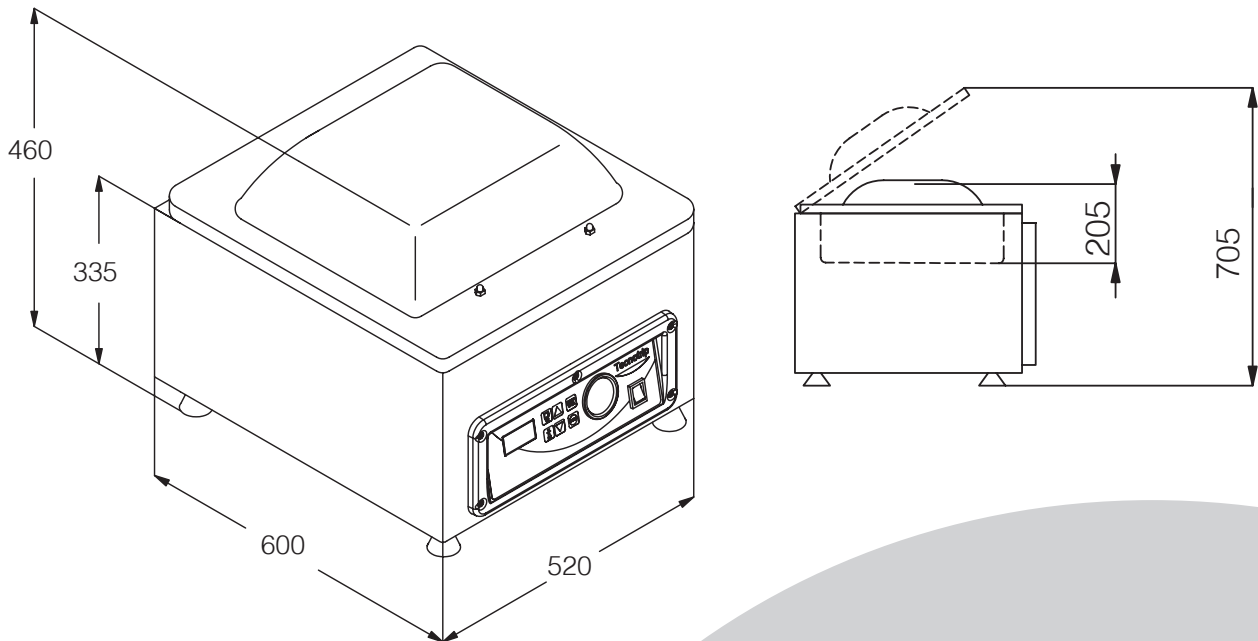
Pastries



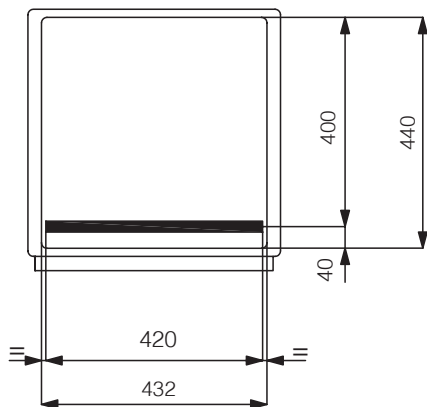
Non-Food

We design, manufacture and market.

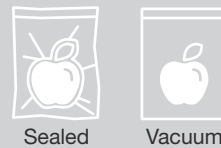
Seriousness, commitment, quality and service... loyalty to our customers.



Sealing bars



Packaging programs



Sealing options



Features

Easy maintenance and cleaning
Manufacture according to CE standard

Technical data

Exterior dimensions/mm: 520X600X460
Chamber dimensions/mm: 430X440X205
Cycles/min: 2/3
Power/Kw: 0,75
Electrical connection: 220V 50/60Hz 1ph
Weight/kg: 60

Equipment

Pump: 21 m³/h
Digital programmer: Compact system
Sealing: SS, SC, SD

Information about the digital programmer

Vacuum control by time
Time sealing control
Sealing control
Manual stop vacuum
**see descriptions on the web*

Accessories and consumables

Shrink bags
Baggers and vacuum bags