

Meat
slaughterhouses



Factories



Packaging
centers

Ideal for all kinds of products of different shapes and sizes...
thanks to the large size of the bells.

Suitable for big productions.

Recommended for factories of sausages, fish, cheese making factories,
packaging centers, caterings...

The **EVD-A-20** is ideal for:



Cheeses



Sausages



Meats



Fishes and
seafood



Vegetables



IV and V
Range



Pasta
& pizzas



Nuts



Sauces



Canning jars



Coffee



Nougat



Pastries



Non-Food

Tecnotrip, S.A.

C/ L'Alguer, 22 · Pol. Ind. Nord
08226 Terrassa (Barcelona) España
Tel.: +34 93 735 69 69
WhatsApp: 695 781 799
tecnotrip@tecnotrip.com

tecnotrip.com





EVD-A-20. Automatic expelling of product at the end of the vacuum packing cycle.



EVD-A-20. Regulation of conveyor belt height.



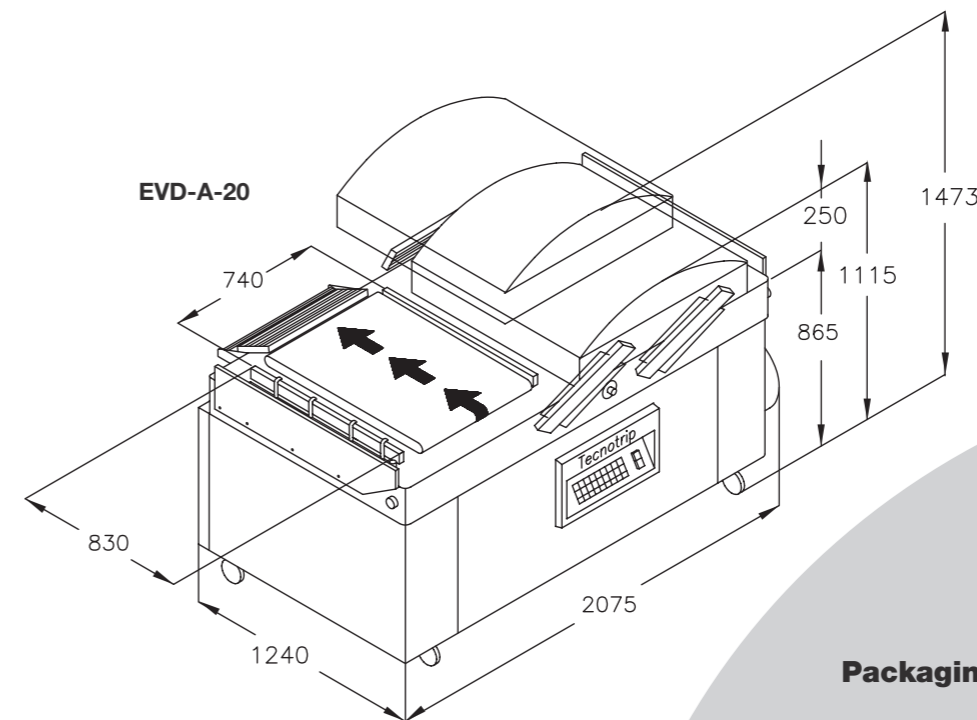
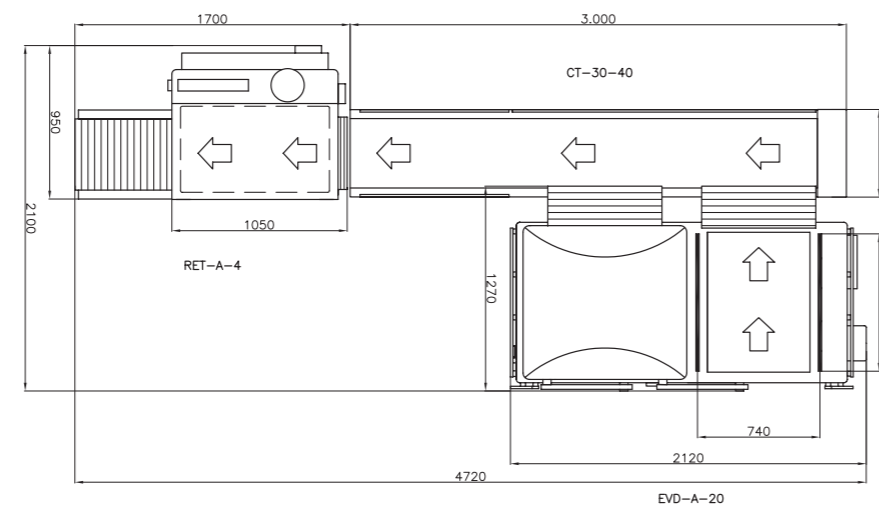
EVD-A-20. Easy removal of the conveyor belt for cleaning.



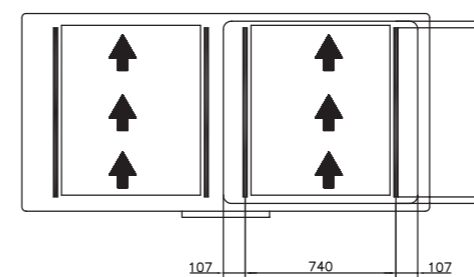
RET-A-4 / RET-A-4-11. Raising of the conveyor belt to facilitate cleaning of interior of tank.

Automatic packaging and shrinking line

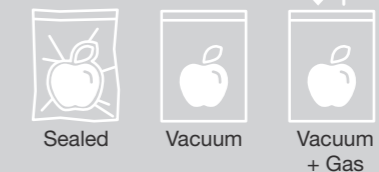
EVD-A-20 + RET-A-4/11 + CT-300/400



Sealing bars



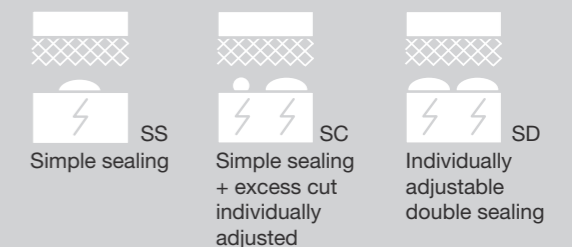
Packaging programs



Gas



Sealing options



Ideal for fully automatic vacuum packaging lines, as it is fully synchronized with conveyor belt and shrinking tanks...

With the elevation of the conveyor belt integrated into each chamber, it will be selected whether or not products should be automatically transported out of the machine. The conveyor belt, synchronized with the packer, allows products to be moved in to the shrink tank. A cell located at the entrance of the tank, detects the passage of the packaged product and initiate the shrinking cycle: entry, immersion, draining and ejection of the product..

At the end of the tank, it is possible to incorporate a bag dryer mod.TSA

Features

- Easy cleaning
- Manufacture according to CE standard
- Soldering independent regulation

Equipment

- Pump: 200/300 m³/h
- Digital programmer: CD system
- Sealing: SS, SC, SD
- Gas

Technical data

	EVD-A-20	CT-300/400	RET-A-4	RET-A-4-11
Exterior dimensions/mm:	2075x1240x1115	3000x550x1070	1730x930x1590	1900x1100x1655
Chamber dimensions/mm:	955x800x250	955x900x250	870x440x285	1270x945x1390
Cycles/min:	2/3			
Power/Kw:	7,5	0,15	30	30
Compressed air/bar:	6		6	6
Electrical connection:	220/380V 50/60Hz 3ph	220/380V 50/60Hz 3ph	220/380V 50/60Hz 3ph	220/380V 50/60Hz 3ph
Weight/kg:	880	115	273	315

Information about the digital programmer

- 30 programs to select
- Vacuum control by sensor
- Supplementary vacuum function
- Progressive vacuum program
- Gas control by sensor
- Progressive air inlet "SOFT-AIR"
- Vacuum verification program

- Manual stop vacuum
- Cycle counter
- Test program
- Oil change control
- Pump preheating program
- Sealing control
- *see descriptions on the web