

Tecnotrip

VACUUM PACK TECHNOLOGY

EVT-28

G-TD

Tabletop vacuum
packer



EVT-28
G-TD

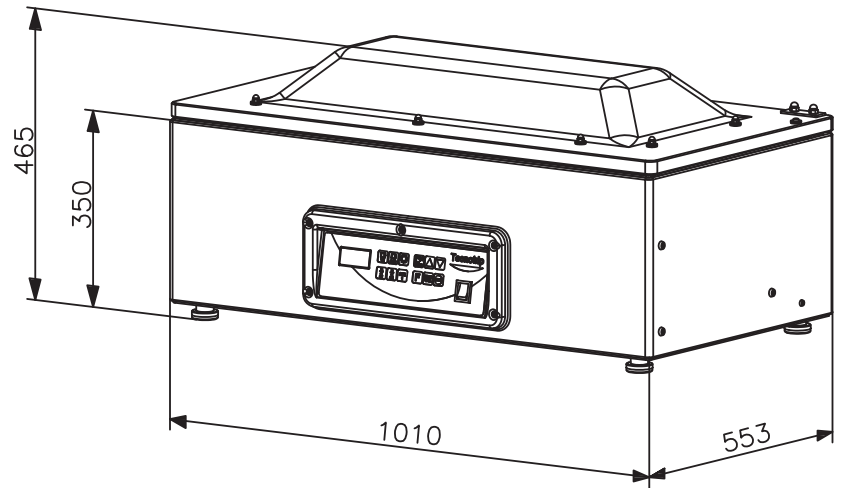
Ideal for packing **long pieces** like salmon, pork sausage, chorizo and sausages or **short pieces** in large quantity.

Provided with **two short bars** of 420 mm, or **one long** 830 mm and **a short** 420 mm.

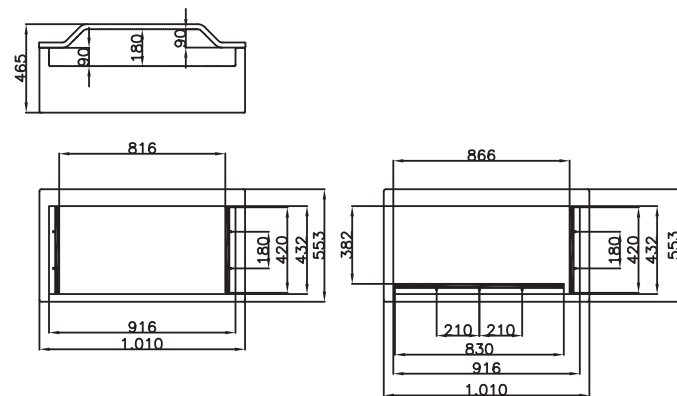
Stainless steel bench.

Easy maintenance and cleaning.

Digital control system.



EVT-28 G-TD



Technical data

Model: EVT-28-G-TD
 Camera dimensions/mm: 916x432x180
 Exterior dimensions: 1010x553x465
 Vacuum pumps: 2x20 m³/h
 Power/Kw: 1,5
 Electrical Connection: 220v. 50 (60) HZ. 1Ph.
 Welding system: SD
 Gas: Standard
 Control System: Digital
 Cycles/min: 2/3
 Weight/kg: 145

Information about digital programmer

30 selectable programs
 Vacuum control by sensor
 Intelligent vacuum control
 Progressive vacuum function
 Control of gas entry by sensor
 Progressive air inlet "SOFT-AIR"
 Vacuum verification program
 Vacuum manual stop
 Marinating program
 Cycle counter
 Oil change control
 Pump preheating program
 Double welding